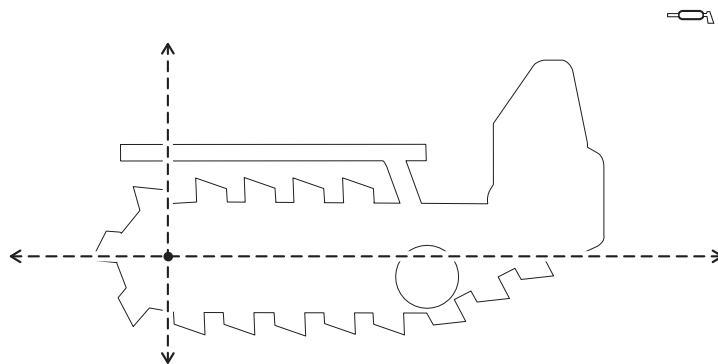
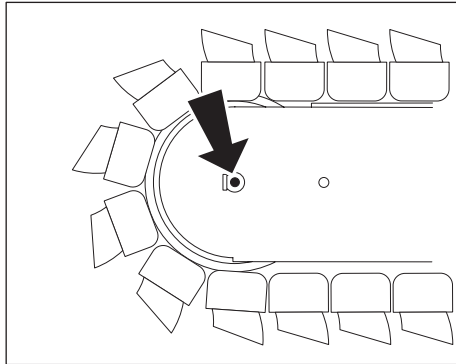


Not intended to be a complete Operator Manual. Available upon request.

The trencher you are renting has a grease gun attached by the operator's seat. The grease fittings detailed below must be greased after every 10 hours of use. If you need more grease contact the store. Damage resulting from a lack of grease (or other required servicing) is not covered by the Equipment Protection Plan. Check the engine oil level after each shift. Call All Star Rents immediately if you experience any problems with the equipment.



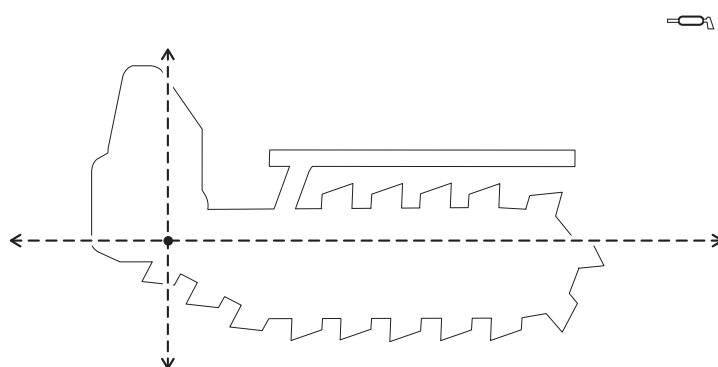
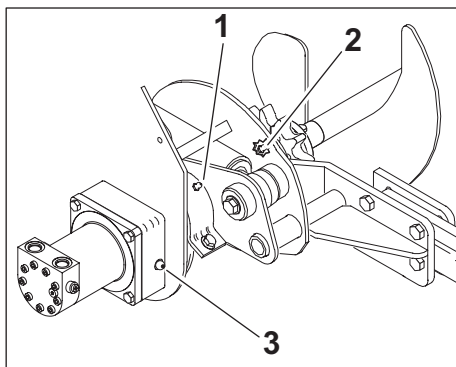
Lube Trencher Tail Roller



t14om021h.eps

Remove plug, wipe zerk clean and lube every 10 hours with MPG.

Lube Trencher Pivot

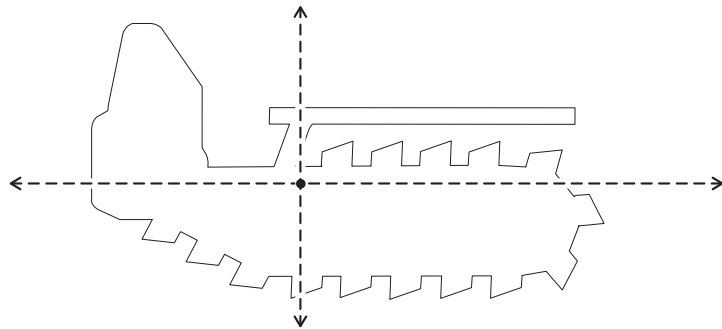
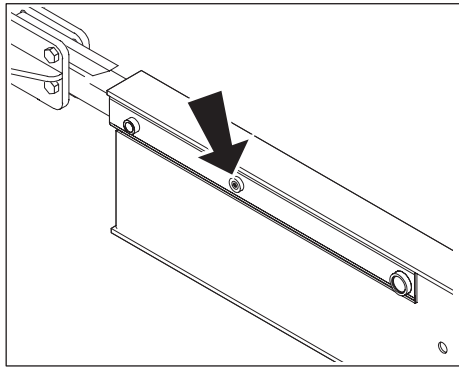


t14om022h.eps

Wipe three zerks clean and lube every 10 hours with MPG.

- Lube zerk (3) until grease appears at headshaft hub.
- Lube zerks (1, 2) with 8-10 pumps of MPG.

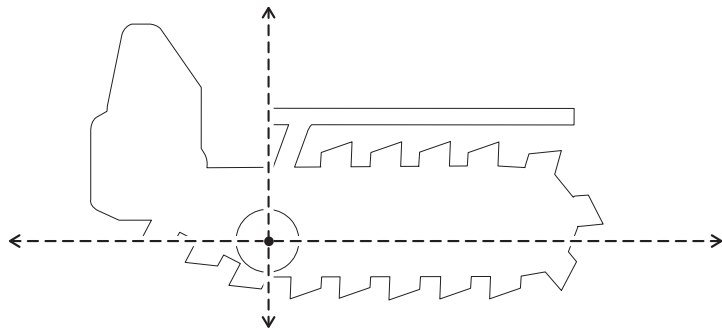
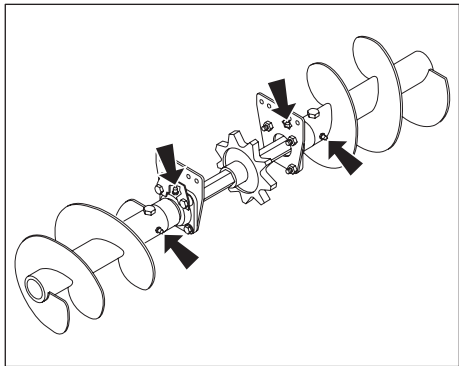
Lube Trencher Pivot Stub



t14om023h.eps

Wipe zerk clean and lube every 10 hours with MPG.

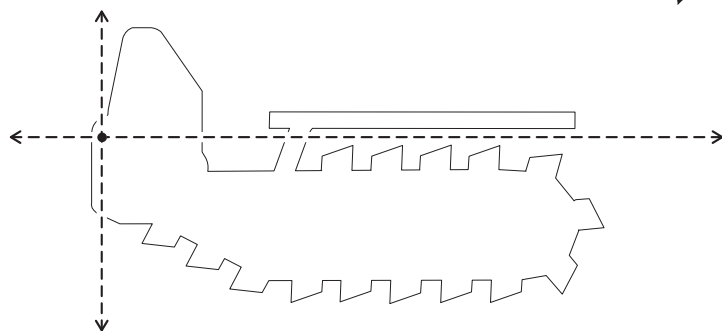
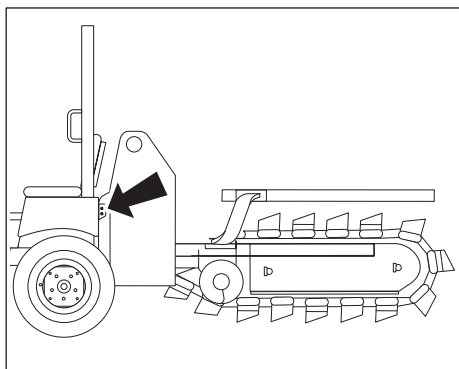
Lube Trencher Auger Bearings and Sleeve



t14om024h.eps

Wipe four zerks clean and lube every 10 hours with MPG every 10 hours.

Check Trencher Mounting Bolts



t14om066h.eps

Check bolts every 10 hours. Tighten to 200 ft•lb (271 N•m).